

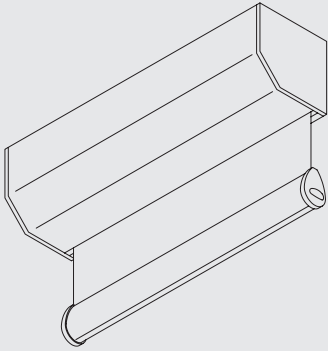
# Roller Blind Systems



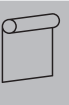
# Application Chart

Operation	Dimensions					Applications		Profile		Features / Options						Fitting Options			Fitting Surfaces			System
	min.	max.	max.	m <sup>2</sup> max.	kg max.	Heavy Duty	Sloping	Profile Number	Profile Diameter (ø mm)	Connected Systems (one Drive)	Side-by-Side Systems (two Drives)	Side Guides available	Fascia Cover available	Stop Controller available	Child Safety Device	Ceiling Fitting	Wall Fitting	Recess Fix	Wood	Concrete	Suspended Ceiling	
	30 cm	2 m	3 m	6 m <sup>2</sup>	2.2 kg	●		4227	ø32	●	●		●	●	●	●	●	●	●	●	●	4900
	50 cm	1.8 m	2.8 m	5 m <sup>2</sup>	2.5 kg	●		4227	ø32						●	●	●	●	●	●	●	4907
	60 cm	2.4 m	3 m	7.2 m <sup>2</sup>	3 kg	●		10531	ø41	●	●		●	●	●	●	●	●	●	●	●	4910
	50 cm	3.3 m	4 m	10 m <sup>2</sup>	7 kg	●	●	4701	ø55	●		●	●	●	●	●	●	●	●	●	●	4830
	50 cm	4 m	6 m	15 m <sup>2</sup>	12.5 kg	●	●	4901	ø80				●	●	●	●	●	●	●	●	●	4840
	50 cm	5 m	3.75 m	15 m <sup>2</sup>	9.5 kg			4957	ø110		●		●		●	●	●	●	●	●	●	
 DC 12V	60 cm	2.4 m	4 m	9.6 m <sup>2</sup>	2.5 kg			10532	ø41						●	●	●	●	●	●	●	4955
 230V	61 cm	2.4 m	4 m	9.6 m <sup>2</sup>	5.5 kg	●		10532	ø41	●	●	●			●	●	●	●	●	●	●	4960
 230V	70 cm	3.3 m	5 m	14 m <sup>2</sup>	10 kg	●	●	4701	ø55	●		●	●		●	●	●	●	●	●	●	4870
 230V	72 cm	4 m	12 m	36 m <sup>2</sup>	23 kg	●	●	4901	ø80						●	●	●	●	●	●	●	4880
	72 cm	5 m	9 m	36 m <sup>2</sup>	23 kg			4957	ø110		●				●	●	●	●	●	●	●	

## Fascia Application



Fascia cover 4702; applicable for systems 4830/4870



[www.silentgliss.co.uk](http://www.silentgliss.co.uk)

[www.silentglissglobal.com](http://www.silentglissglobal.com)

Silent Gliss Ltd  
Pyramid Business Park  
Poorhole Lane  
Broadstairs  
Kent  
CT10 2PT  
Great Britain

Tel: +44 (0) 1843 863571  
Fax: +44 (0) 1843 864503  
[info@silentgliss.co.uk](mailto:info@silentgliss.co.uk)

Silent Gliss Global Ltd  
Pyramid Business Park  
Poorhole Lane  
Broadstairs  
Kent  
CT10 2PT  
Great Britain

Tel: +44 (0) 1843 874250  
Fax: +44 (0) 1843 874457  
[info@silentglissglobal.com](mailto:info@silentglissglobal.com)