

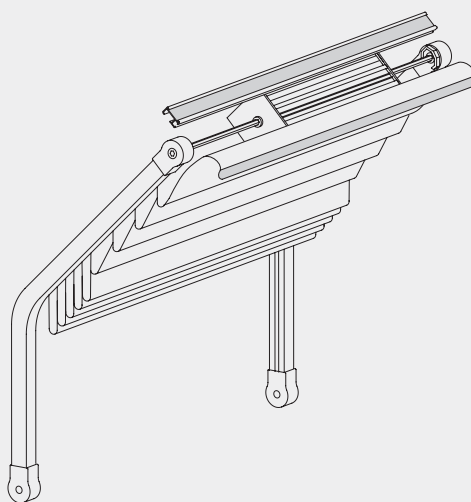
# Skylight Shading Systems





## Motorised Wintergarden System

# Silent Gliss® 2195



### Product Information

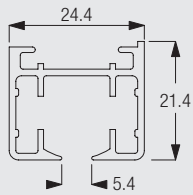
- Electrically operated system for domestic or contract use
- Pleasing Roman blind effect with Silent Gliss technical or decorative fabrics or customers' own material
- Blinds can be single, double or triple operation from one motor to correspond to window bays
- Horizontal, sloping, bent and arched applications
- Can be operated via fixed switch or radio remote control
- Side guide profile standard colours: silver, white, bronze, gold and black
- Can be operated by fixed switch or combined with Radio Remote Control System Silent Gliss 9940/0450



2195

## Profile, Bending and Specification Information

### Side Guide Profile

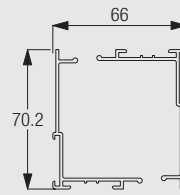


2191



Min. radius 200 mm

### Profile 2151 for motor cover



2151



Cannot be bent

Specification Information - download from [www.silentgliss.co.uk](http://www.silentgliss.co.uk) (password required).

2195 electrically operated Wintergarden system ready assembled with motor enclosed headbox 2151 complete with drive shafts, side guide channels and cross rods for blinds. Side guide channels to be fixed at 80-100cm centres and headbox to be fixed with 3004 clamps. .... off.....wide x ..... drop (girth) guide channels, side channels each bent .....times with cross rods at .....cm intervals.

## System Dimensions



3m (single)  
6m (double)  
6m (triple)



6m (all systems)



25kg (all systems)



18sqm (single)  
30sqm (double)  
36sqm (triple)

### Maximum size and weight chart

| 2195 |  | kg max. | A   | B   | 2195 |  | kg max. | A   | B   |
|------|--|---------|-----|-----|------|--|---------|-----|-----|
|      |  | 18      | 3 m | 6 m |      |  | 18      | 3 m | 6 m |
|      |  | 18      | 6 m | 6 m |      |  | 18      | 6 m | 6 m |
|      |  | 18      | 6 m | 5 m |      |  | 18      | 6 m | 6 m |
|      |  | 25      | 3 m | 6 m |      |  | 18      | 3 m | 6 m |
|      |  | 25      | 6 m | 6 m |      |  | 18      | 6 m | 5 m |
|      |  | 25      | 6 m | 6 m |      |  | 18      | 6 m | 5 m |
|      |  | 25      | 3 m | 6 m |      |  | 10      | 3 m | 4 m |
|      |  | 25      | 6 m | 6 m |      |  | 10      | 6 m | 4 m |
|      |  | 25      | 6 m | 6 m |      |  | 10      | 6 m | 3 m |

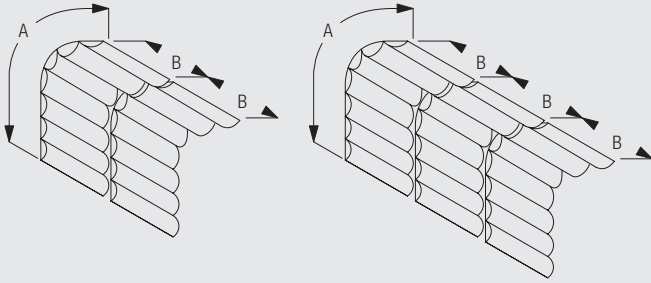
Sloped versions: max. inclination 45°

The system dimensions depend on the number of connected systems, the application and the total fabric weight (including cross bars: 2579 - 0.146kg per m, 2248 - 0.32kg per m). Systems over 2.5m must use 2248 heavy duty cross rod. In double or treble systems where one of the systems is over 2.5m, then all covers must use 2248 cross rod.

When a full arch the system must be centre opening.

## System Options

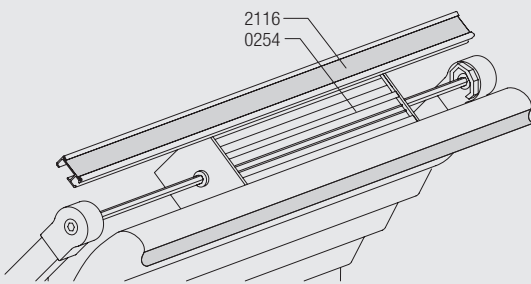
### Connected systems



Maximum of three bays can be connected to one system. The maximum system sizes are indicated in the chart under system dimensions.

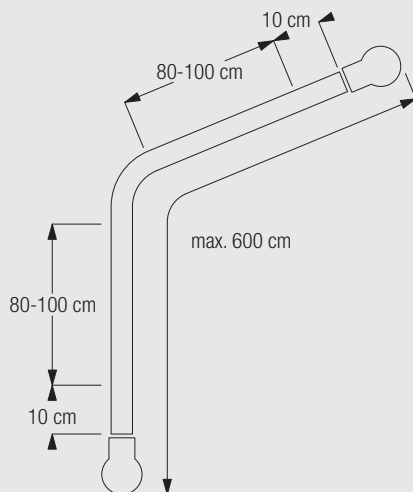
Please note that the sections can be asymmetric but a bay can never exceed a total width of 3m.

### Motor cassette 2151 and Velcro profile 2116



## Fitting Information

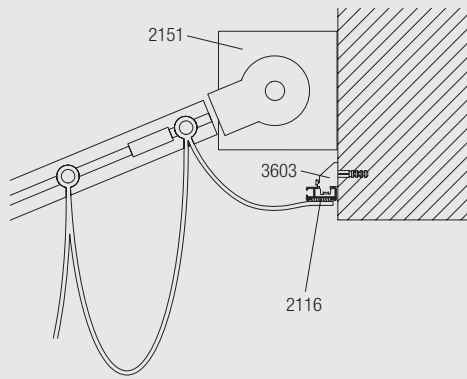
### Bracket positioning



2195

Please fix the last bracket as close as possible (max. 10cm) to the guide return.

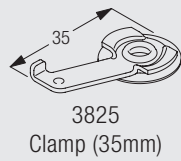
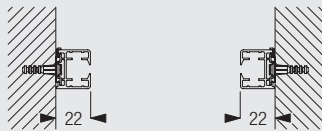
## Fixing the end of the fabric



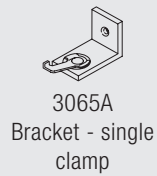
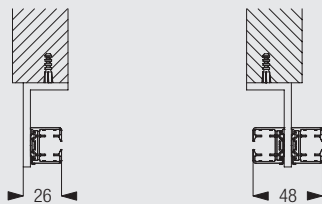
Fixing of fabric to Velcro profile 2116

## Fitting Options

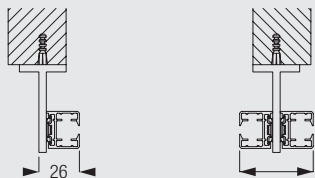
### Inside reveal fix with clamp 3825



### Outside reveal fix with clamp 3065a



### Outside reveal fix with clamp 3066a



## Standard Accessories

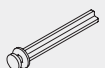
2116 Velcro profile



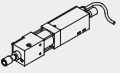
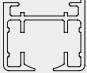
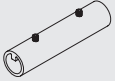
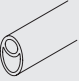
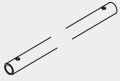

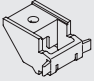

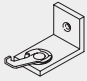


2111 Hexagonal bar



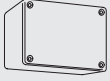
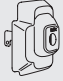
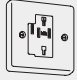


2145 Glider

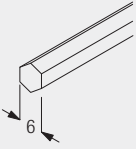
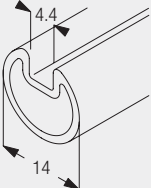


|       |                        |   |      |                      |   |
|-------|------------------------|---|------|----------------------|---|
| 2151  | Profile                |  | 2156 | Drive shaft          |  |
| 2160  | Motor                  |  | 2191 | Profile              |  |
| 2242  | Connector              |  | 2248 | Heavy duty cross rod |  |
| 2759  | Crossrod               |  | 3004 | Clamp                |  |
| 3603  | Top fix bracket        |  | 3825 | Clamp (35mm)         |  |
| 3065A | Bracket - single clamp |  |      |                      |   |

### Optional Accessories

|      |              |   |      |                                   |  |
|------|--------------|---|------|-----------------------------------|--|
| 0578 | Pattress box |    | 0615 | Latching switch inc. pattress box |   |
| 5736 | Relay socket |   | 5741 | Klik plug                         |  |
| 5742 | Klik socket  |  |      |                                   |  |

### Useful Measurements

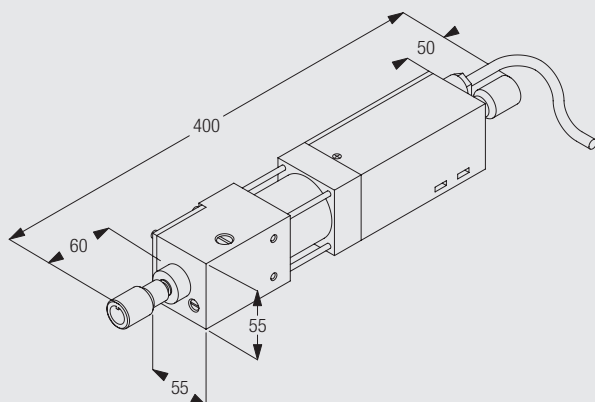
|      |               |   |      |             |   |
|------|---------------|---|------|-------------|---|
| 2111 | Hexagonal bar |  | 2156 | Drive shaft |  |
|------|---------------|---|------|-------------|---|



2195

### Motors and Controls

#### Motor Silent Gliss 2160 - Single Bay



- Torque: 6Nm
- Voltage: 230V/115V
- Frequency: 50Hz/60Hz
- Power: 150W/145W
- Current: 0.7A/1.4A
- Speed: 23rpm/26rpm
- Thermal overload protection
- CEE Standard
- Mechanical end stop
- Weight: 2kg

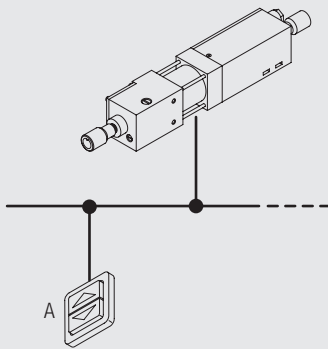
## Motor Silent Gliss 2160 - Multiple Bays

- Note: Drawing as per 2160 above except that overall length is 375mm (instead of 400mm)
- Torque: 10Nm
- Voltage: 230V
- Frequency: 50Hz
- Power: 120W
- Current: 0.53A
- Speed: 26rpm
- Thermal overload protection
- CEE Standard
- Mechanical end stop
- Weight: 1.8kg

The Silent Gliss 2160 motor is an interference-free motor, designed to offer top performance in regard to strength and reliability. The entire motor is integrated into the profile cover.

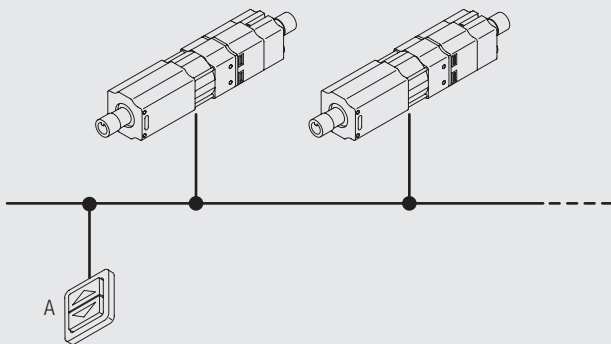
### Operating Methods - Single and Multiple Bays

#### Operation via fixed switch (single system)



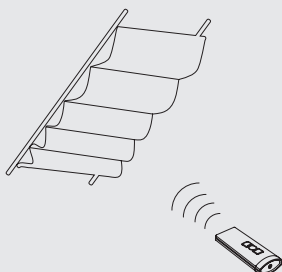
A: 230V/115V  
All cabling between switch and motor is to be 3 core + earth

#### Operation via fixed switch (multiple systems)



A: 230V/115V  
R: Relay  
All cabling between switch and motor is to be 3 core + earth

#### Operation with radio controls systems 9940/0450



System can be combined with Radio Remote Control Systems Silent Gliss 9940/0450. For further details, please refer to catalogue section "Motors & Controls".



## Wiring and Connections

**Important:** Wiring diagrams are available on the Silent Gliss website [www.silentgliss.co.uk](http://www.silentgliss.co.uk) (password required). Please contact Silent Gliss for information on access.



2195



2195



2195

[www.silentgliss.co.uk](http://www.silentgliss.co.uk)

[www.silentglissglobal.com](http://www.silentglissglobal.com)

Silent Gliss Ltd  
Pyramid Business Park  
Poorhole Lane  
Broadstairs  
Kent  
CT10 2PT  
Great Britain

Tel: +44 (0) 1843 863571  
Fax: +44 (0) 1843 864503  
[info@silentgliss.co.uk](mailto:info@silentgliss.co.uk)

Silent Gliss Global Ltd  
Pyramid Business Park  
Poorhole Lane  
Broadstairs  
Kent  
CT10 2PT  
Great Britain

Tel: +44 (0) 1843 874250  
Fax: +44 (0) 1843 874457  
[info@silentglissglobal.com](mailto:info@silentglissglobal.com)